

96W CCT Select Duet Portable Power Supply

Power Supply Units

This product must be installed in accordance with all applicable national and local electrical and construction codes by a person familiar with the construction and operation of the product and the hazards involved. Failure to comply with the following installation instructions may result in death or serious injury.

CAUTION

Fully disconnect power before installation is started to prevent injury due to electrical shock.

Inspect all parts for visible damage before installation. Cease installation if damage is found.

Do not exceed the safety-rated voltage of the unit.

Do not strip an excessive amount of sheathing from any wiring.

Any modifications of any kind will fully void the product's warranty.

Ce produit doit être installé conformément à toutes les réglementations électriques et de construction nationales et locales en vigueur, par une personne familiarisée avec la construction et le fonctionnement du produit, ainsi qu'avec les dangers qu'il présente. Le non-respect des instructions d'installation suivantes peut entraîner des blessures graves, voire mortelles.

PRUDENCE

Débranchez complètement l'alimentation avant de commencer l'installation afin d'éviter tout risque de choc électrique.

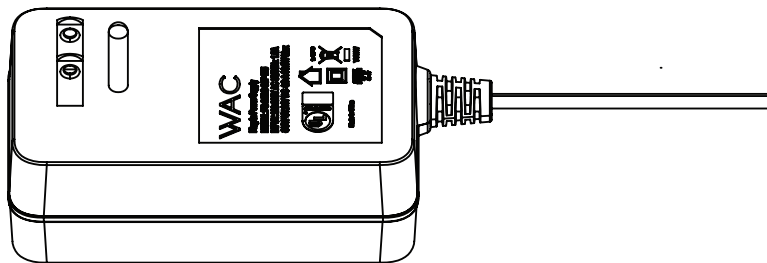
Inspectez toutes les pièces avant l'installation pour déceler tout dommage visible. Arrêtez l'installation en cas de dommage.

Ne dépassez pas la tension nominale de sécurité de l'appareil.

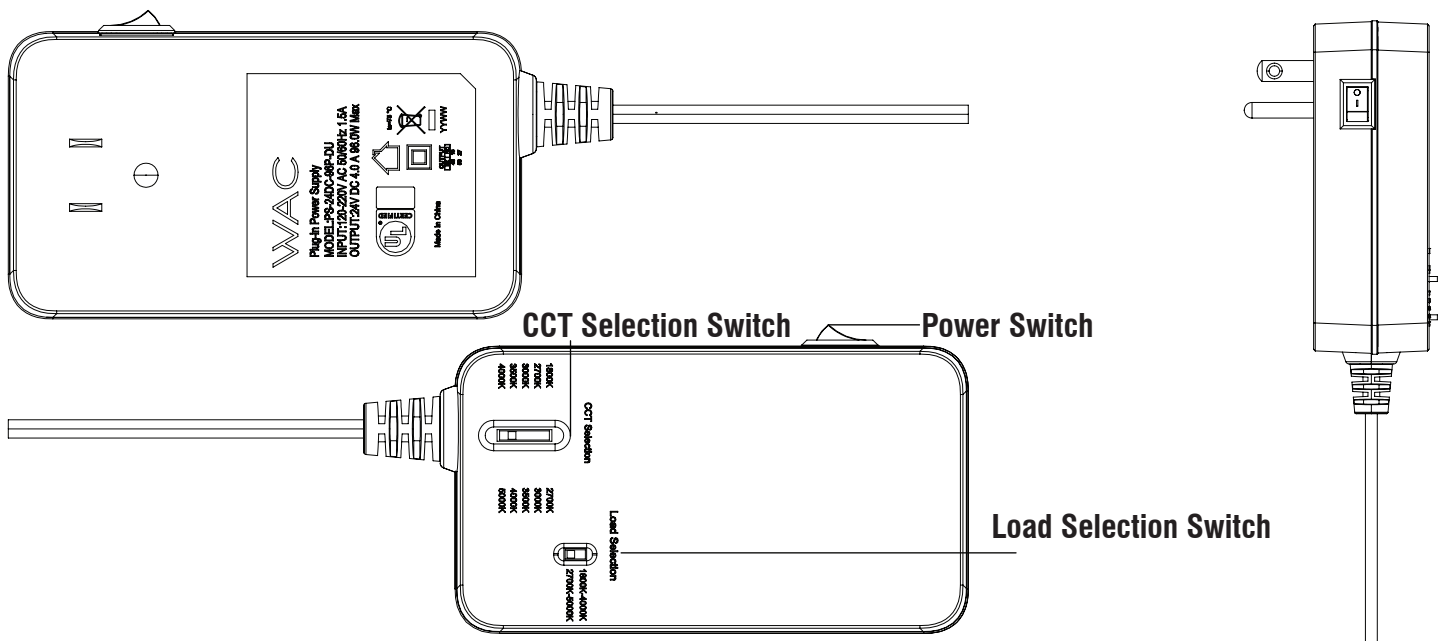
Ne dénudez pas excessivement les câbles.

Toute modification, quelle qu'elle soit, annulera la garantie du produit.

Installation Preparation



Component Diagram



wacighting.com
Phone (800) 526.2588
Fax (800) 526.2585

Headquarters/Eastern Distribution Center
44 Harbor Park Drive
Port Washington, NY 11050

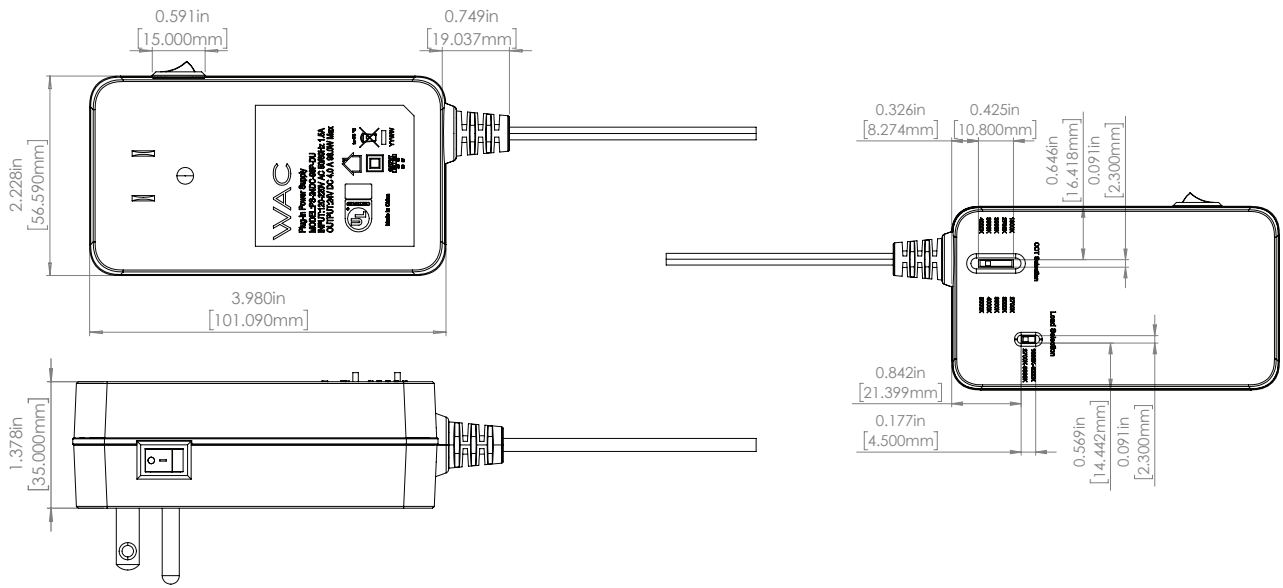
Central Distribution Center
1600 Distribution Ct
Lithia Springs, GA 30122

Western Distribution Center
1750 Archibald Ave
Ontario, CA 91761

WAC Lighting retains the right to modify the design of our products at any time as part of the company's continuous improvement program.

96W CCT Select Duet Portable Power Supply

Power Supply Units



Installation Procedure

1

The power supply unit plugs into a standard three prong (Type B) wall outlet.

2a

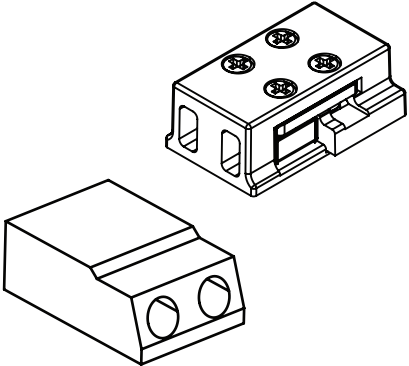
The wire extending from the power supply is pre-stripped. Depending on the fixture that is being connected, there are multiple types of possible connections.

Output Type	Red Wire	Black Wire
A (1800K-4000K)	18	40
B (2700K-5000K)	27	50

96W CCT Select Duet Portable Power Supply

Power Supply Units

2b

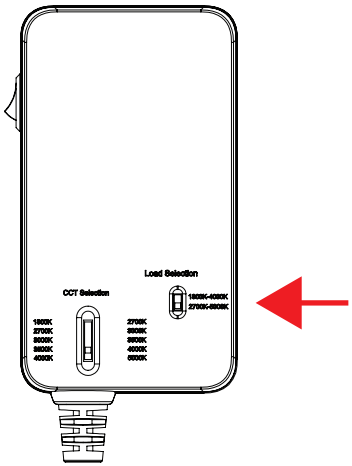


Other fixtures connect using either push-lock or screw connectors. With push-lock connectors, the stripped wire is simply pushed into the port to secure it. Conversely, screw connectors require the stripped wire to be inserted and then tightened down with a screw, creating a secure mechanical connection.

Installation Procedure

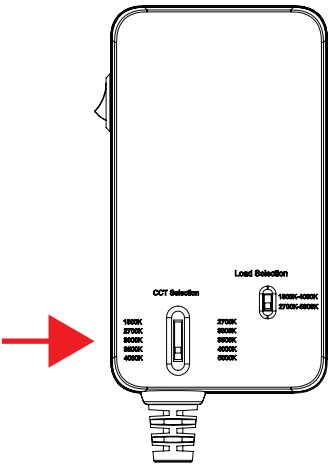
Usage Instructions

1



Slide the “Load Selection” switch to the temperature range that corresponds to the unit’s connected load type.

2

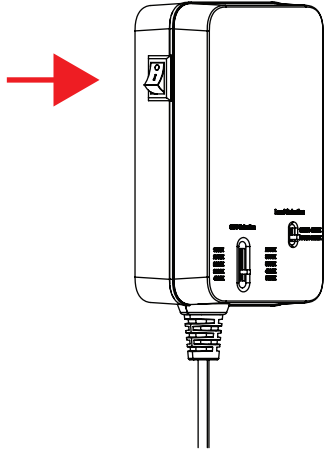


Slide the “CCT Selection” switch to the desired color temperature of the connected luminaire.

96W CCT Select Duet Portable Power Supply

Power Supply Units

3

	<p>With the Load and CCT selections made, the device is ready to power on and off using the switch on the side.</p>
---	---

Usage Instruction